

## Homework2/0506 – z-transform, inst. spectrum, filters

1. The instantaneous spectrum  $X(e^{j\theta}, n)$  of a signal

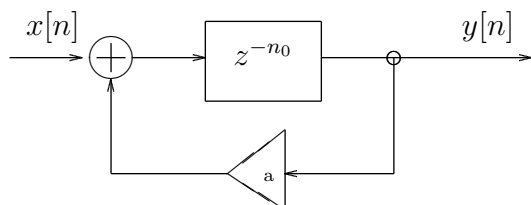
$$x(n) = \begin{cases} \sin(\theta_0 \cdot n) & \text{for } n = 10, \dots, 49 \\ 0 & \text{otherwise} \end{cases}$$

is computed using rectangular window  $g(k)$  of length  $K = 10$ .

- How does the mainlobe width of  $X(e^{j\theta}, n)$  change with  $n$  (make approximate sketch).
- What is the minimum width of the mainlobe (write an expression)
- If we change  $K$ , or the window type – how will the mainlobe change?
- Sketch the value of  $X(e^{j\theta}, n)$  versus  $n$  with  $\theta = \theta_0$ .

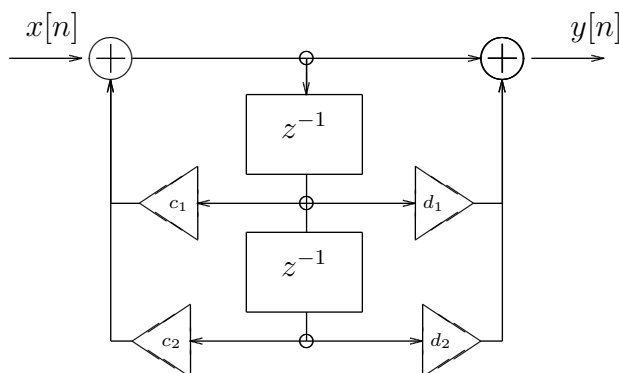
2. Analyze an IIR filter with graph as follows

For plots, assume  $a = 0.5$ ,  $n_0 = 2$



- find  $h[n]$ ,  $H(z)$
- Plot zeros and poles of the filter
- How the filter stability depends on  $n_0$  and  $a$ ?
- Plot filter amplitude characteristics
- Find filter response for  $x(n) = 1 + \cos(n\pi)$

3. Analyze a filter described by graph:



- Find  $H(z)$
- Find the conditions on  $c_1$ ,  $c_2$ ,  $d_1$ ,  $d_2$  to assure filter stability.
- find  $h(n)$  for  $c_1 = 0$ ,  $c_2 = 0$ ,  $d_1 = -2$ ,  $d_2 = 1$
- Sketch  $A(\theta)$  for  $c_1 = 1.8 \cdot \cos(\pi/4)$ ,  $c_2 = .81$ ,  $d_1 = -2$ ,  $d_2 = 1$ .

Hint: Mark a signal after the first adder with  $r(n)$ , then eliminate it from the equations.

4. Calculate the z-transform and its region of convergence for the following series:

- $\delta[n]$
- $u[n] - u[n - n_0]$
- $u[n] \cdot 0.4^n$
- $u[-n] \cdot -0.4^n$

5. Assuming phase equal to zero, calculate the impulse response of:

- an ideal lowpass filter with cutoff frequency of  $\theta_b$
- an ideal highpass filter with cutoff frequency of  $\pi - \theta_b$
- an ideal bandpass filter with passband of  $\theta_c \pm \theta_b$

Then, assume  $\theta_b = \pi/4$  and try to design a filter with rectangular window method, with order of 7. Try to calculate the filter characteristics by hand, then check with a computer.

## Additional problems...

... may be found in *Oppenheim and Schaffer with Buck*:

- z-transform: basic problems from Chapter 3 (“The z-transform”)
- filters: basic problems from Chapter 5 (“Transform analysis of LTI systems”)
- filter design: first few basic problems from Chapter 7 (“Filter design techniques”)
- instantaneous spectrum: problems 10.9, 10.13 – 10.20 (problems from Chapter 10 “Fourier analysis of signals using the DFT” that have “TDFT” or “time-dependent FT” inside)

note: if you have other editions of O. and S., the chapter numbering will be different, but contents are similar.

File: homework2'2006 L<sup>A</sup>T<sub>E</sub>Xed on December 12, 2006